

Monday 6 June 2022 – Morning

AS Level Physics B (Advancing Physics)

H157/02 Physics in depth

Time allowed: 1 hour 30 minutes



You must have:

- the Data, Formulae and Relationships Booklet

You can use:

- a scientific or graphical calculator
- a ruler (cm/mm)



Please write clearly in black ink. **Do not write in the barcodes.**

Centre number

--	--	--	--	--

Candidate number

--	--	--	--

First name(s)

Last name

INSTRUCTIONS

- Use black ink. You can use an HB pencil, but only for graphs and diagrams.
- Write your answer to each question in the space provided. If you need extra space use the lined pages at the end of this booklet. The question numbers must be clearly shown.
- Answer **all** the questions.
- Where appropriate, your answer should be supported with working. Marks might be given for a correct method, even if your answer is wrong.

INFORMATION

- The total mark for this paper is **70**.
- The marks for each question are shown in brackets [].
- Quality of extended response will be assessed in questions marked with an asterisk (*).
- This document has **20** pages.

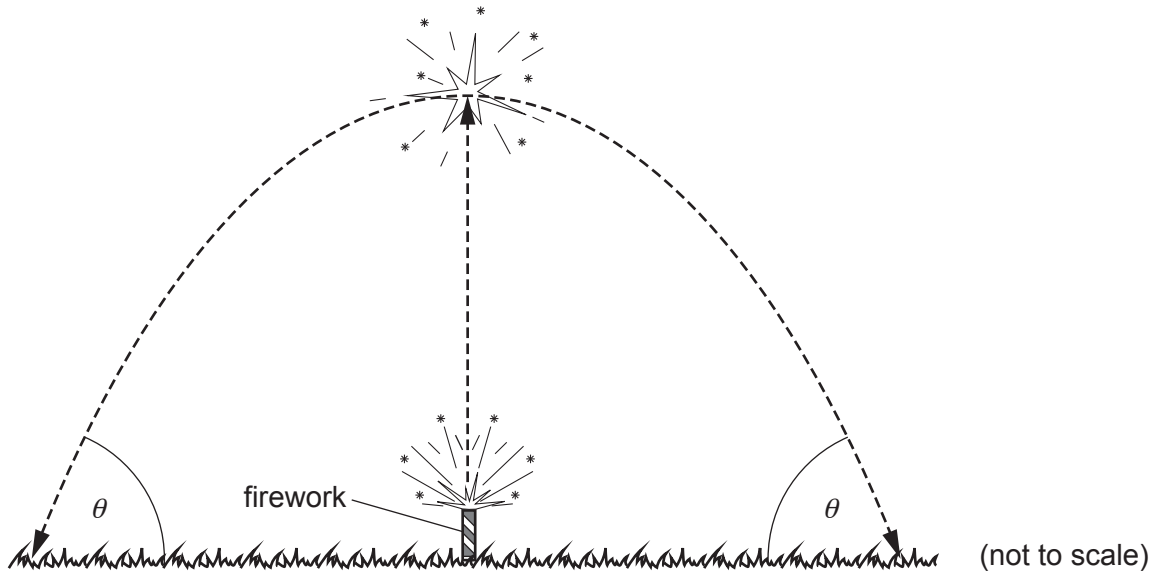
ADVICE

- Read each question carefully before you start your answer.

SECTION A

Answer **all** the questions.

- 1 A firework, mounted on the ground, ejects a packet vertically at an initial speed of 35 m s^{-1} . The packet explodes into many glowing fragments when it reaches its highest point.



- (a) Show that the height reached by the packet is approximately 60 m, assuming that air resistance is negligible and that the packet was fired from ground level.

[2]

- (b) The glowing fragments travel initially horizontally at a speed of 15 m s^{-1} . Calculate the distance of one fragment from its launch site when it reaches the ground, assuming no air resistance.

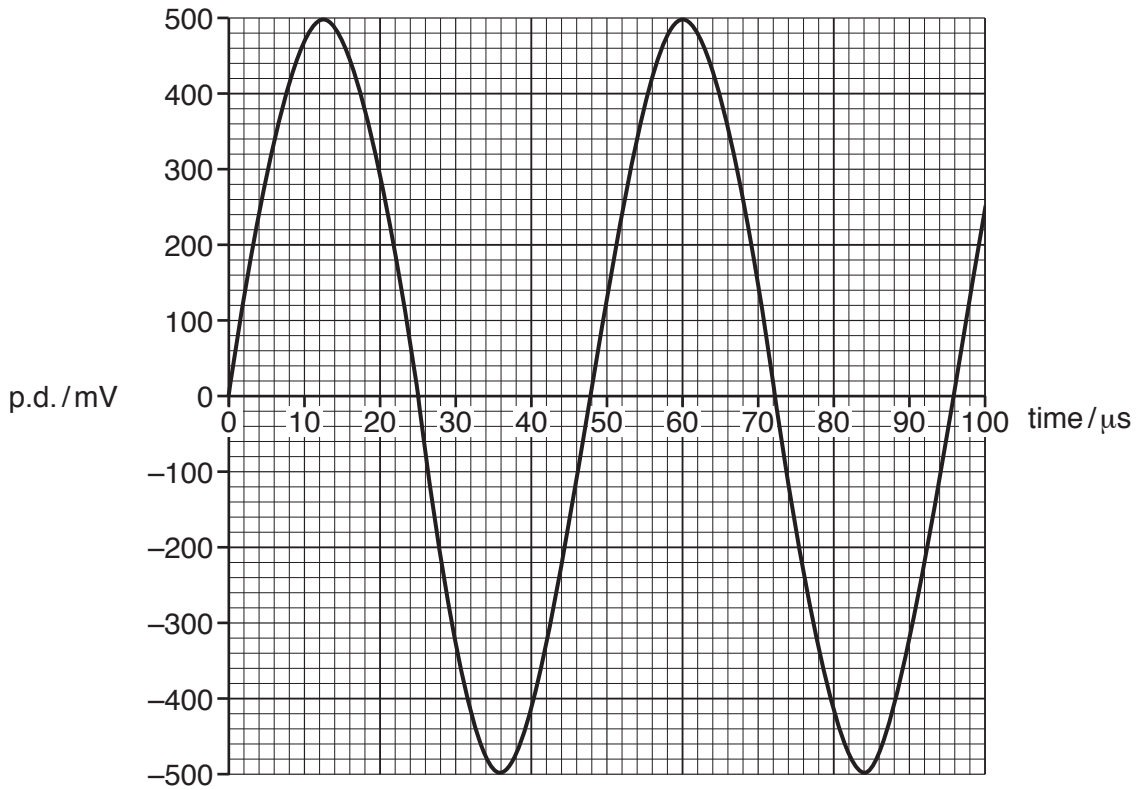
distance = m [2]

3

(c) Calculate the angle θ with the horizontal at which the fragment hits the ground.

angle =° [2]

2 The signal below is a microphone recording of a pure sound wave of frequency f_{sound} .



The signal is to be transmitted by radio at a frequency $f_{\text{radio}} = 91.5 \text{ MHz}$.

(a) Calculate the ratio $\frac{f_{\text{radio}}}{f_{\text{sound}}}$.

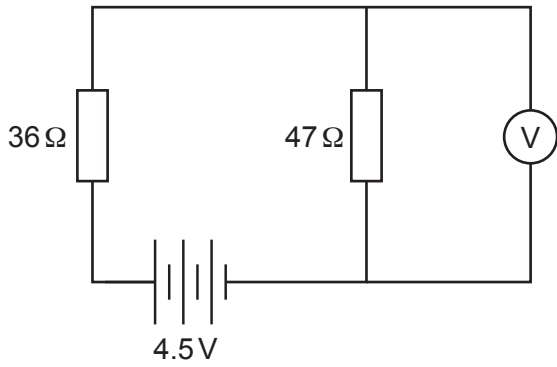
$$\frac{f_{\text{radio}}}{f_{\text{sound}}} = \dots\dots\dots [2]$$

(b) A more complex sound signal is a sum of musical notes with a frequency range 18 Hz to 24 kHz. It is to be encoded as a digital signal before transmission.

Calculate the lowest rate at which the sound signal should be sampled to avoid distortion.

lowest sampling rate = $\dots\dots\dots$ samples s^{-1} [1]

3 The voltmeter in the circuit below has a very high resistance.



(a) Calculate the p.d. recorded by the voltmeter.

Assume that the internal resistance of the battery is negligible.

p.d. = V [2]

(b) Without calculation, state and explain how the voltmeter reading would differ from the answer to (a) if the battery internal resistance were not negligible.

.....

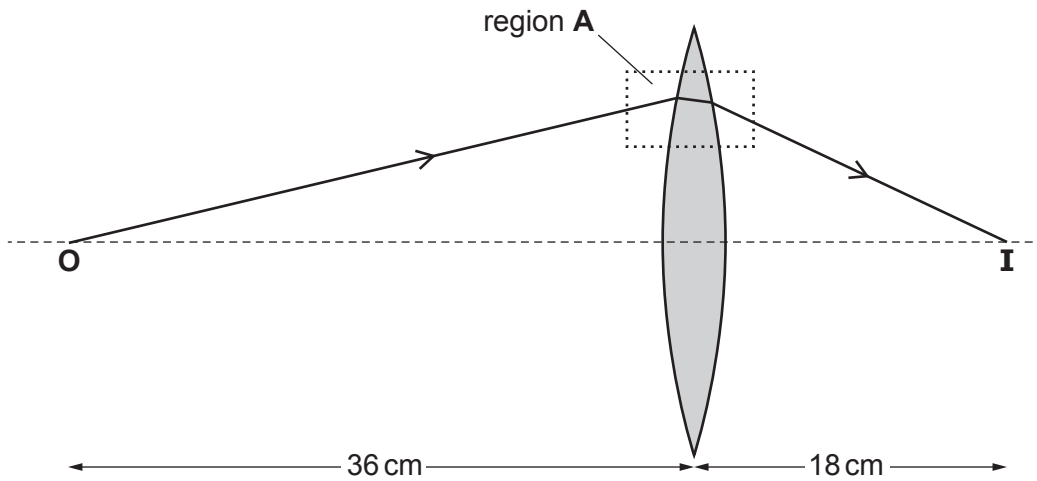
.....

.....

.....

..... [2]

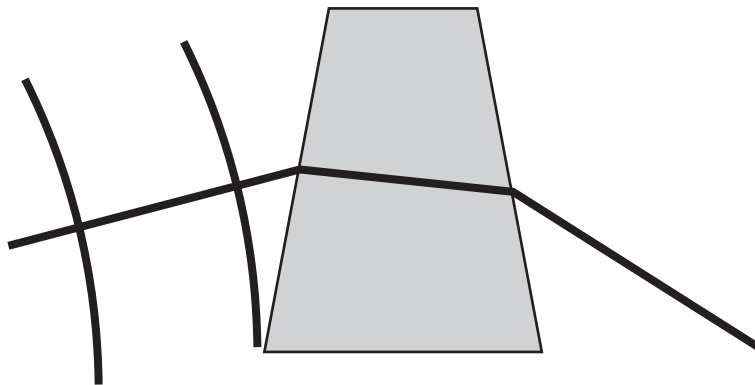
- 4 A converging lens forms a real image **I** of a point object **O** as shown in the ray diagram. This ray is refracted in the region marked **A**.



- (a) Calculate the power P of the lens.

$P = \dots\dots\dots$ D [2]

- (b) The diagram below shows the light ray in region **A**. Two wavefronts to the left of the lens are shown.



Draw wavefronts on this diagram to show how the shape and spacing of the wavefronts change as the light passes into the lens and back out on the right.

[3]

5 A cylindrical steel wire of diameter 1.2 mm and length 3.5 m hangs from a high ceiling.

(a) Calculate the stress in the wire if a load of mass 25 kg is attached to the bottom of the wire.

stress = Pa [2]

(b) Calculate the elastic strain energy stored in the wire by the 25 kg load.
The Young modulus of elasticity of steel is 2.1×10^{11} Pa.

energy stored = J [2]

(c) The yield stress of this steel is about 15% higher than the value calculated in (a). Explain why the 25 kg load, once attached to the end of the wire, should be lowered gently into its final position rather than allowing it to drop into place.

.....
.....
.....
.....
..... [3]

SECTION B

Answer **all** the questions.

6 This question is about using remote sensors to make measurements on the planet Mars.

- (a) In February 2021, the rover *Perseverance* landed on the planet Mars. **Fig. 6.1** shows a simplified diagram of the last stage of this landing, using a 'sky crane.'

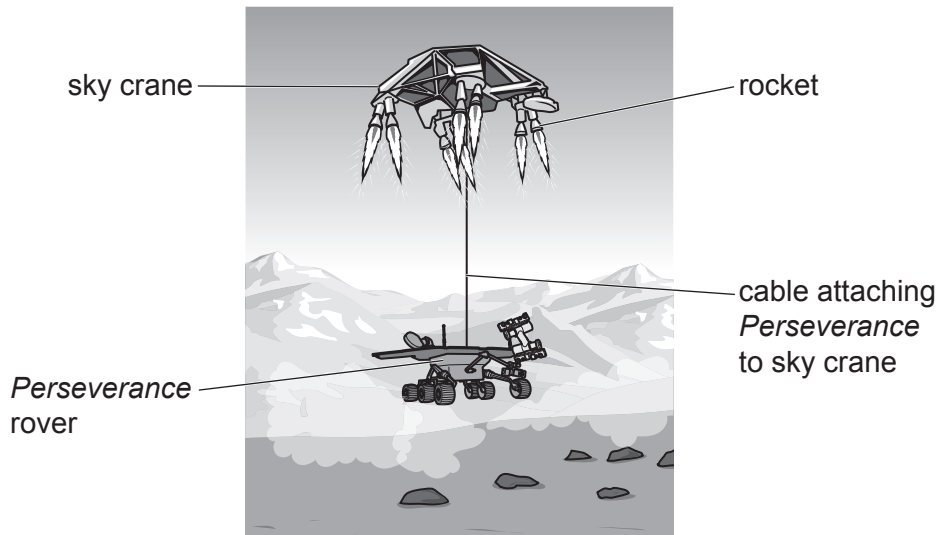


Fig. 6.1

The sky crane used its rockets to hover a fixed distance above the ground. It lowered the rover slowly at a steady speed until the rover reached the ground. Once the rover was securely on the ground, the supporting cable was cut and the sky crane flew off to crash some distance away.

The graph in **Fig. 6.2** shows how the upward force F produced by the rockets on the sky crane varied during the time it was hovering at a fixed height.

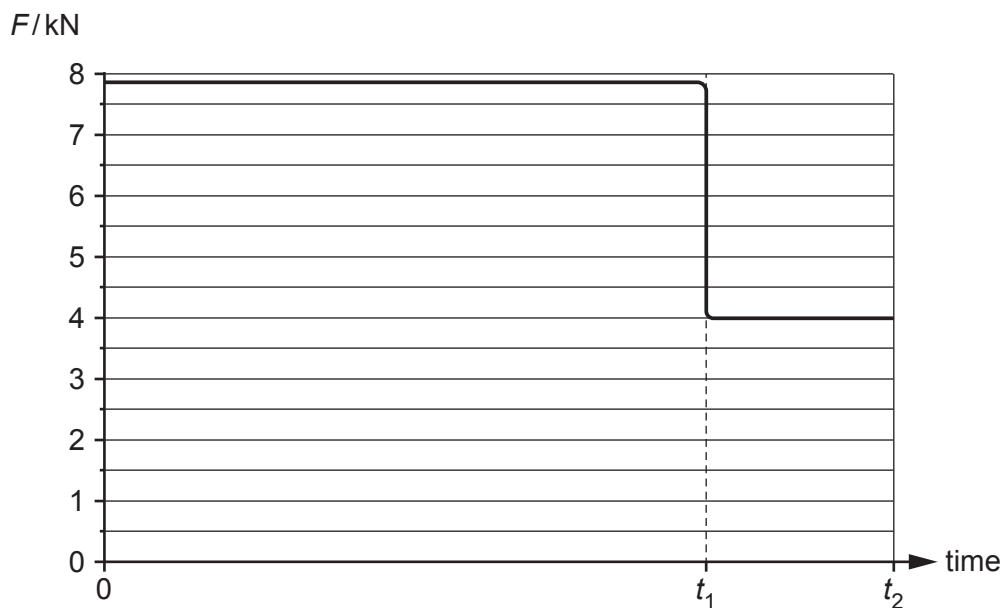


Fig. 6.2

(i) Describe and explain the shape of the graph in **Fig. 6.2**.

.....
.....
.....
.....
.....
.....
..... [3]

(ii) Use **Fig. 6.2** to calculate g , the acceleration due to gravity on the surface of Mars.

Mass of *Perseverance* rover = 1030 kg

$g = \dots\dots\dots \text{N kg}^{-1}$ [2]

(b) *Perseverance* has a pair of high-resolution cameras to aid navigation and to investigate the surroundings.

(i) The CCD sensor in each camera consists of an array of square pixels. There are 1600×1200 square pixels in an area of $1.05 \times 10^{-4} \text{m}^2$. Show that the length of an edge of one pixel is about $7 \mu\text{m}$.

[2]

(ii) When the camera records an image of a distant object, the image distance v from the lens to the CCD sensor is 19.5 mm. Show that the camera can resolve two points less than 5 cm apart on an object 100 m from the camera.

[2]

7 This question is about refraction of light.

(a) **Fig. 7.1(a)** shows plane wavefronts of monochromatic light travelling in a vacuum approaching a glass block and **Fig. 7.1(b)** shows the situation at a time $4T$ later, where T is the period of the wave.

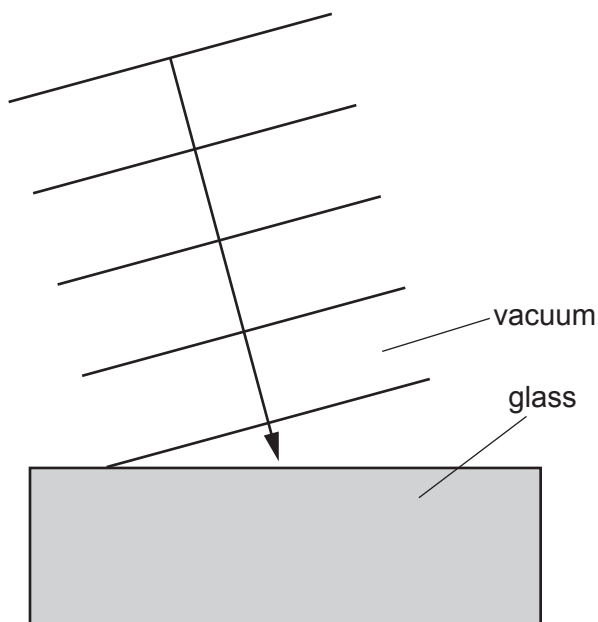


Fig. 7.1(a)

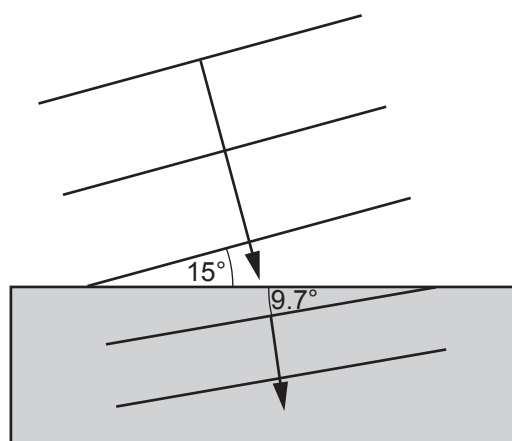


Fig. 7.1(b)

(i) Calculate the wavelength λ in vacuum, given that the period $T = 1.53 \times 10^{-15}$ s.

$\lambda = \dots\dots\dots$ m [2]

(ii) Show that the speed v of the light in glass is about 2×10^8 m s⁻¹.

[2]

- (ii) As the corpuscle enters the glass, due to an interaction with the vacuum-glass boundary it experiences a force into the glass perpendicular to the boundary, as shown in Fig. 7.3.

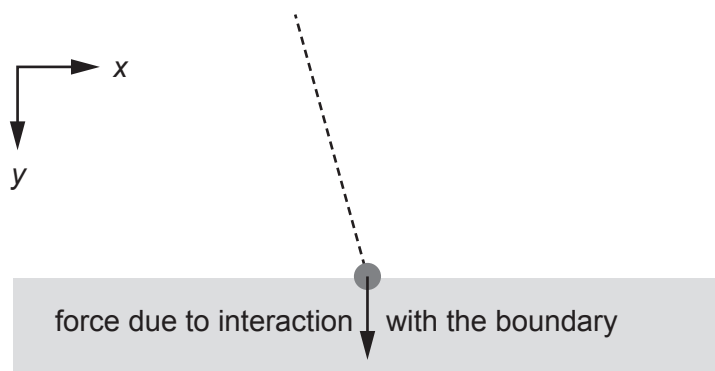


Fig. 7.3

Describe and explain the effect of this force has on the components c_x and c_y and of the magnitude and direction of the velocity of the corpuscle once it has passed the boundary. You should assume, as Newton did, that the corpuscle is not massless, and that it experiences zero force inside the glass.

.....

.....

.....

.....

.....

.....

.....

.....

.....

..... [4]

- (c) Both the wave model and the corpuscle model can explain Snell's Law $n = \frac{\sin i}{\sin r}$ equally well, but other predictions of the two models disagree.

The French physicists Fizeau and Foucault compared the speed of light in air with the speed of light in water and found that light travels slower through water than through air. It was later shown that light travels slightly faster through vacuum than through air.

Explain what these experiments showed about the nature of light.

.....

.....

.....

.....

..... [2]

14
SECTION C

8 Two students are doing experiments to measure the wavelength of microwaves.

Beth uses three sheets of aluminium to construct the double-slit arrangement shown in Fig. 8.1 where $d = 8.0$ cm. She knows that the wavelength λ of the microwaves is in the range 1 – 5 cm.

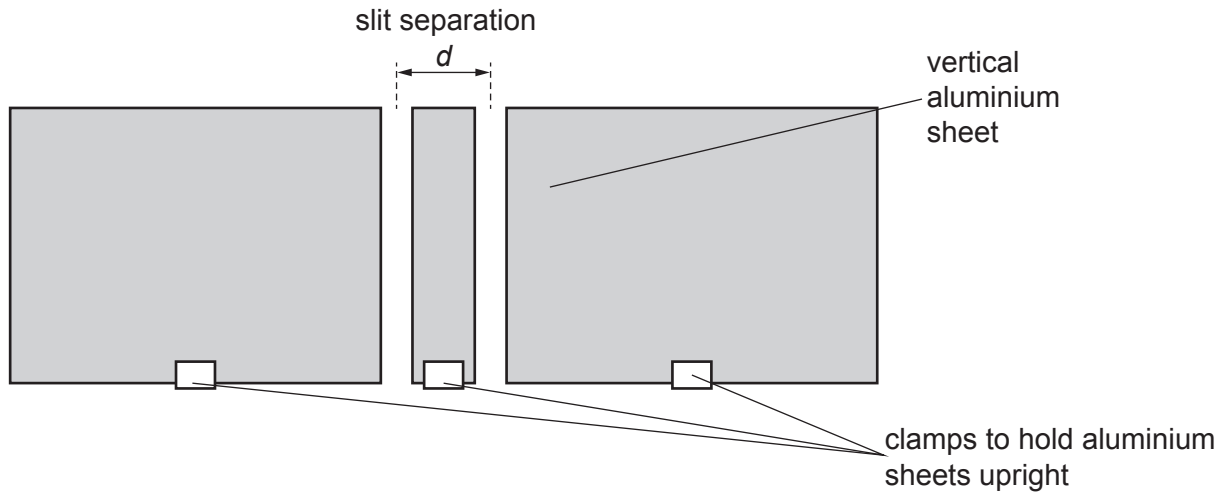


Fig. 8.1

A microwave emitter is placed facing the double-slit and a sensitive microwave sensor placed a distance L from the slits on the other side, as shown in Fig. 8.2. The microwave sensor is connected directly to a sensitive ammeter reading 0 – 100 μ A.

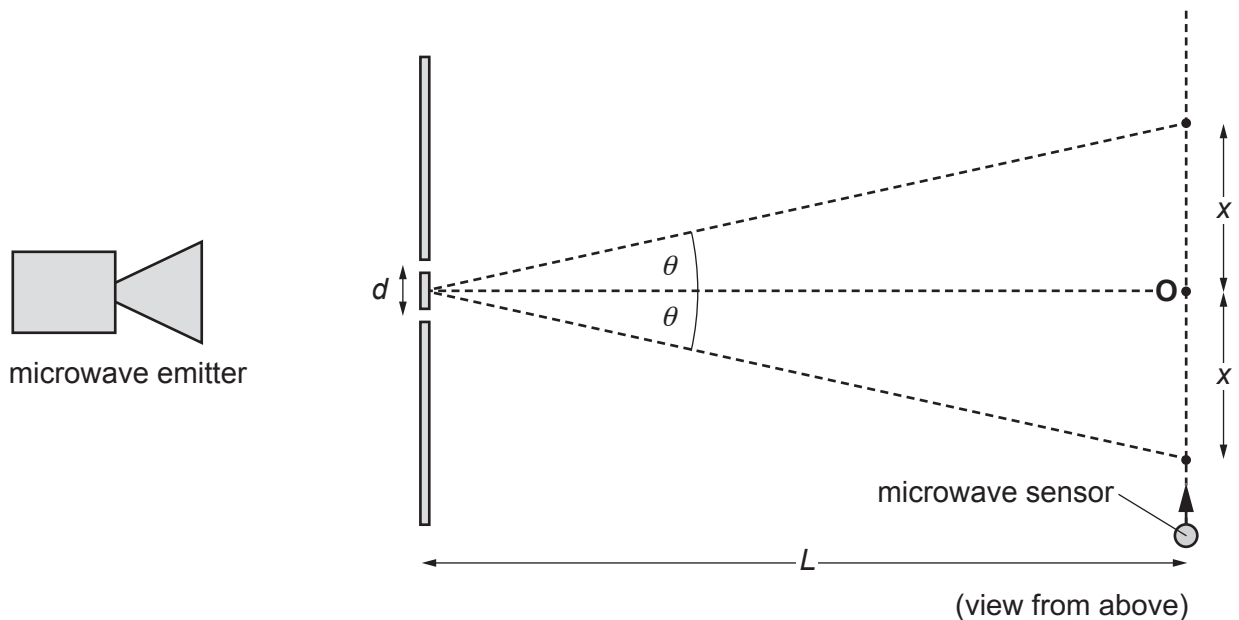


Fig. 8.2

The point O is directly opposite the centre of the double slits. The two points a distance x from O , and at an angle θ from the centre line, are the first-order intensity maxima of the double slit pattern.

- (a) Beth knows that, for small enough values of θ , the grating equation $\lambda = d \sin \theta$ can be written $\lambda = \frac{xd}{L}$ which can be rearranged to $x = \left(\frac{\lambda}{d}\right) L$.

She measured the distance $2x$ between the two first-order maxima for a range of values of L and estimated the uncertainty Δx by observing the range of values of $2x$ over which the ammeter reading seemed to stay at a maximum and then halving that value.

Fig. 8.3 shows the data from the experiment.

Complete the graph with suitable straight lines and use them to obtain the gradient $\frac{\lambda}{d}$ and its uncertainty. Use these values to calculate the wavelength of the microwaves and its uncertainty, given that $d = 8.0 \text{ cm}$.

Express your answers to an appropriate number of significant figures.

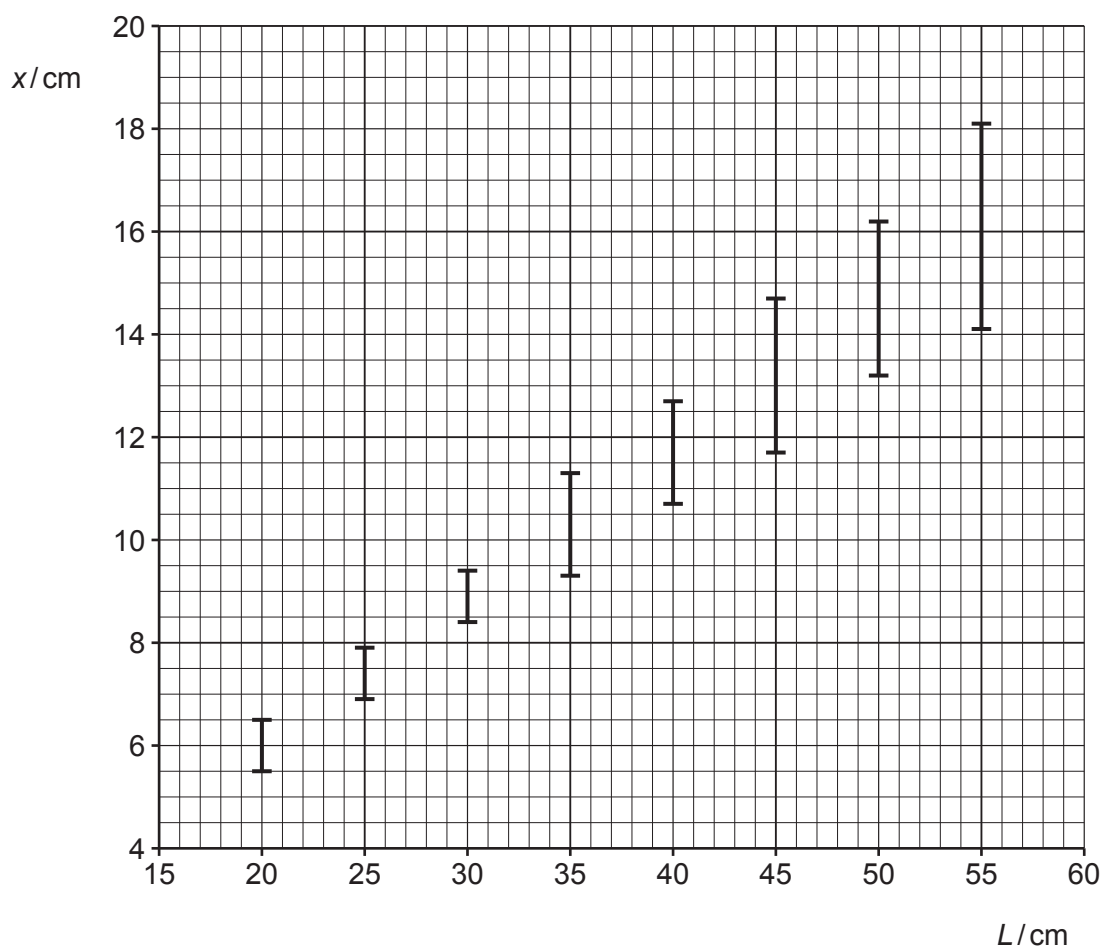


Fig. 8.3

gradient, $\frac{\lambda}{d} = \dots \pm \dots$

$\lambda = \dots \pm \dots \text{ cm}$

[5]

- (b) Jack chooses a different method based on single-slit diffraction. He has read that the diffraction pattern produced by waves of wavelength λ passing through a slit of width b has its first subsidiary minimum at an angle θ from the straight-on direction, where $b \sin \theta = \lambda$.

Using the same microwave emitter and sensor, he sets up his experiment as in **Fig. 8.4**, where the slit width $b = 7.5$ cm.

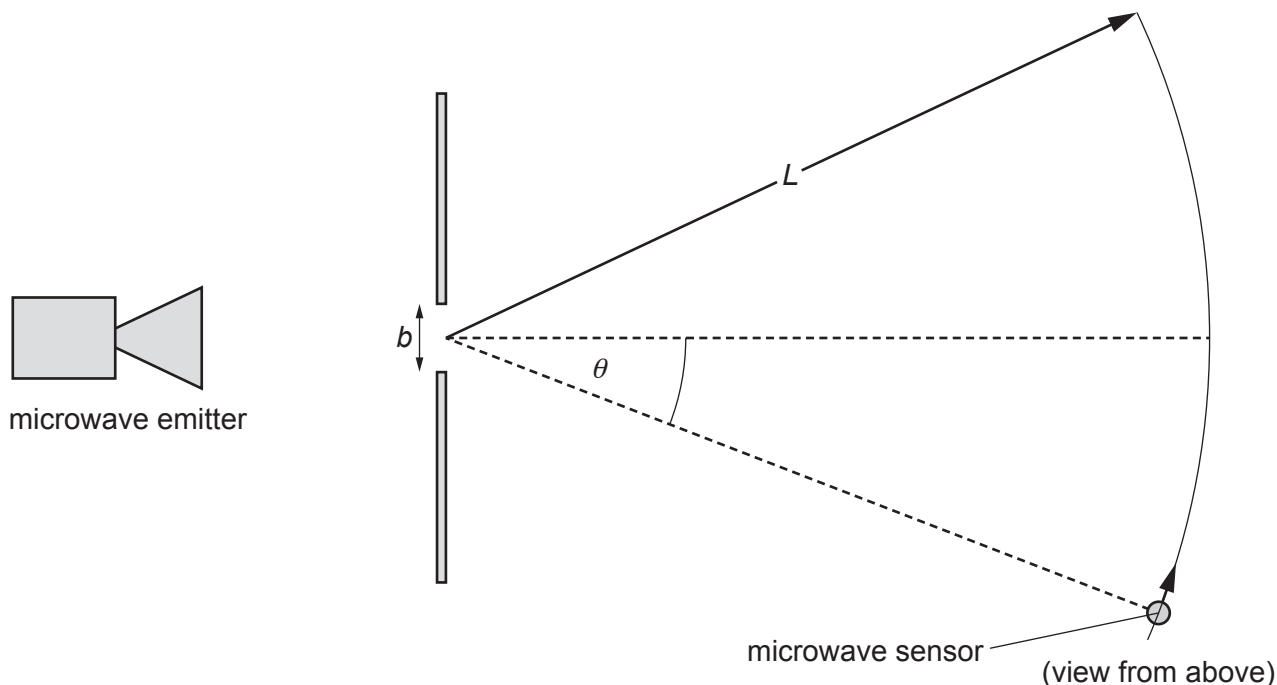


Fig. 8.4

He moves the microwave sensor gradually along the circular arc of radius L shown in **Fig. 8.4**, recording the ammeter reading at different values of angle θ , measured with a protractor of resolution $\pm 1^\circ$. The graph of **Fig. 8.5** shows his ammeter readings as a function of angle.

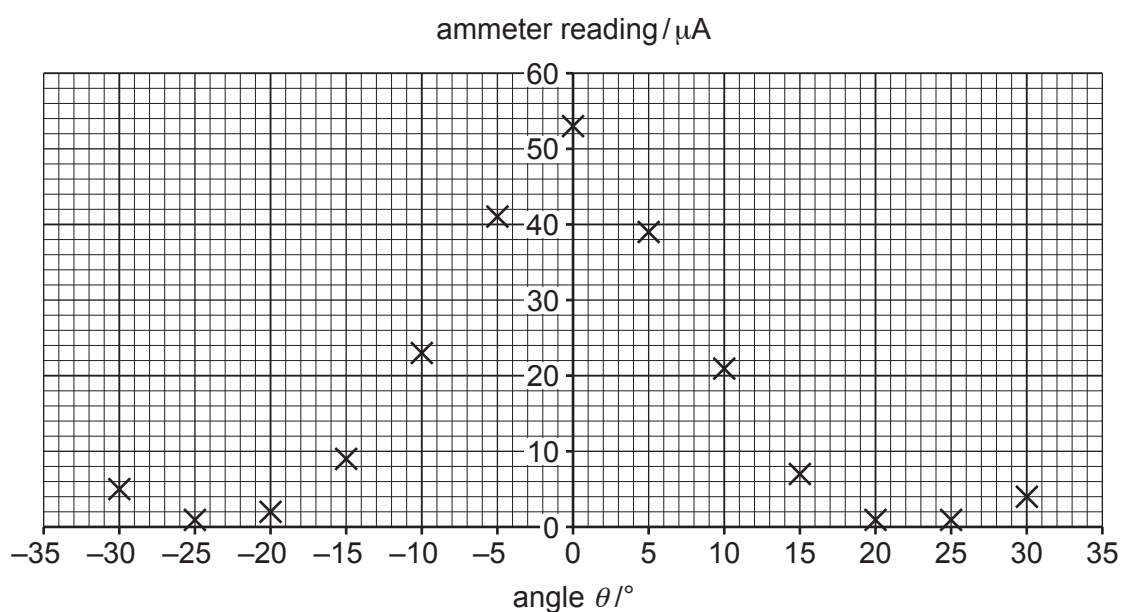


Fig. 8.5

ADDITIONAL ANSWER SPACE

If additional space is required, you should use the following lined page(s). The question number(s) must be clearly shown in the margin(s).

A large area of lined paper for writing answers. It features a vertical margin line on the left side and horizontal dotted lines for writing. The lines are evenly spaced and extend across the width of the page.

A large area of the page is reserved for writing, featuring a vertical solid line on the left side and horizontal dotted lines extending across the page.



Oxford Cambridge and RSA

Copyright Information

OCR is committed to seeking permission to reproduce all third-party content that it uses in its assessment materials. OCR has attempted to identify and contact all copyright holders whose work is used in this paper. To avoid the issue of disclosure of answer-related information to candidates, all copyright acknowledgements are reproduced in the OCR Copyright Acknowledgements Booklet. This is produced for each series of examinations and is freely available to download from our public website (www.ocr.org.uk) after the live examination series.

If OCR has unwittingly failed to correctly acknowledge or clear any third-party content in this assessment material, OCR will be happy to correct its mistake at the earliest possible opportunity.

For queries or further information please contact The OCR Copyright Team, The Triangle Building, Shaftesbury Road, Cambridge CB2 8EA.

OCR is part of Cambridge University Press & Assessment, which is itself a department of the University of Cambridge.